

# 7th World University Archery Championship 2008

## Compound Men

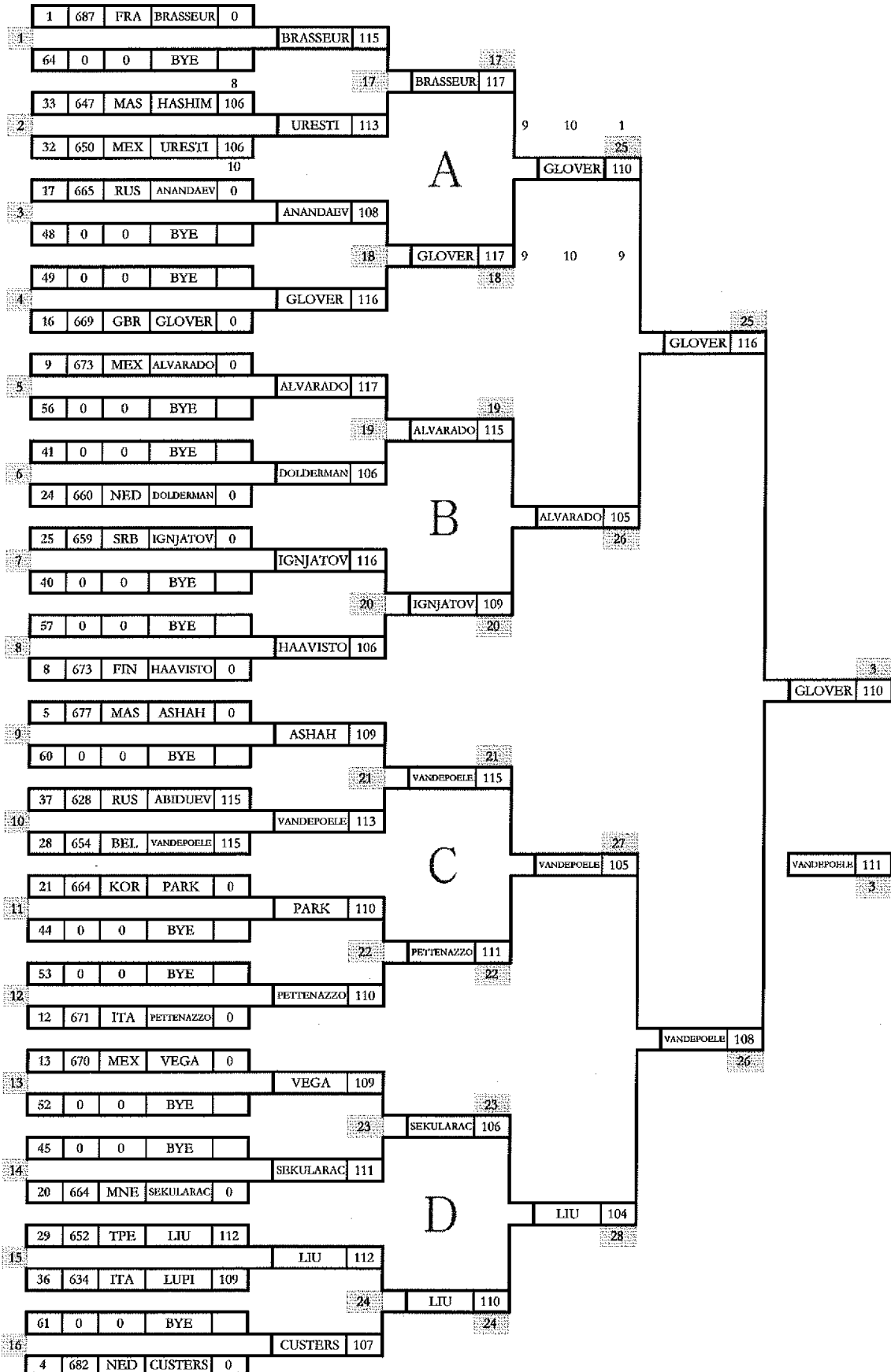
No.	Country	Name	Target No.	Round 1 70 M	10	X'	Rank	Round 2 70M	10	X'	Rank	Total	10	X	Rank
10	FRA	BRASSEUR SEBASTIEN	19A	340	19	8	4	347	25	9	1	687	44	17	1
15	USA	GRESCHOCK JEDD	20C	344	22	10	1	342	18	5	4	686	40	15	2
39	JPN	SEKI KAZUYA	28C	344	21	5	2	340	19	4	6	684	40	9	3
18	NED	CUSTERS EMIEL	24C	340	18	6	6	342	20	8	3	682	38	14	4
2	MAS	ASHAH MOHD KAHARUDDIN	16B	340	21	8	4	337	17	7	12	677	38	15	5
26	RUS	KHLYS C HENKO ANTON	24B	336	16	6	10	338	17	4	10	674	33	10	6
38	SIN	CHUA BOON RONG ADRIEL	28B	334	14	8	14	339	19	6	7	673	33	14	7
33	FIN	HAAVISTO NICO	26C	334	14	5	16	339	17	4	8	673	31	9	8
11	MEX	ALVARADO GERARDO	19B	338	15	5	7	335	14	5	17	673	29	10	9
12	USA	GATTO STEVEN	19C	338	17	4	8	334	15	7	18	672	32	11	10
29	CAN	CAMERON NATHAN	25B	343	23	10	3	328	13	7	26	671	36	17	11
25	ITA	PETTENAZZO FEDERICO	24A	334	15	6	15	337	18	6	14	671	33	12	12
17	MEX	VEGA PEDRO	21B	333	18	7	17	337	19	5	15	670	37	12	13
30	USA	SCHWADE STEPHEN	21C	332	13	2	22	338	17	5	9	670	30	7	14
28	KOR	KIM DONG GYU	25A	329	11	6	24	341	18	3	5	670	29	9	15
36	GBR	GLOVER PHILIP	27C	332	15	4	20	337	18	7	12	669	33	11	16
23	RUS	ANANDAEV BAIR	23B	335	16	4	12	330	12	6	21	665	28	10	17
13	FRA	DELOBELLE FABIEN	20A	337	16	3	9	328	10	4	27	665	26	7	18
16	FRA	LEBECQUE DANIEL	21A	321	11	5	33	343	21	7	2	664	32	12	19
35	MNE	SEKULARAC MILAN	27B	328	13	7	25	336	18	3	16	664	31	10	20
31	KOR	PARK BUM CHUL	26A	335	17	5	11	329	13	5	23	664	30	10	21
1	BEL	AERTS GREGORY	16A	333	12	4	18	329	15	6	22	662	27	10	22
4	BEL	DEPOITTIER JULLEN	17A	332	15	4	20	329	10	0	25	661	25	4	23
27	NED	DOLDERMAN SANDER	25C	331	12	3	23	329	12	5	23	660	24	8	24
21	SRB	IGNJATOV VIKTOR	22C	325	12	4	29	334	16	6	19	659	28	10	25

Judge \_\_\_\_\_ Competition Dir. \_\_\_\_\_ Scoring Dir. \_\_\_\_\_

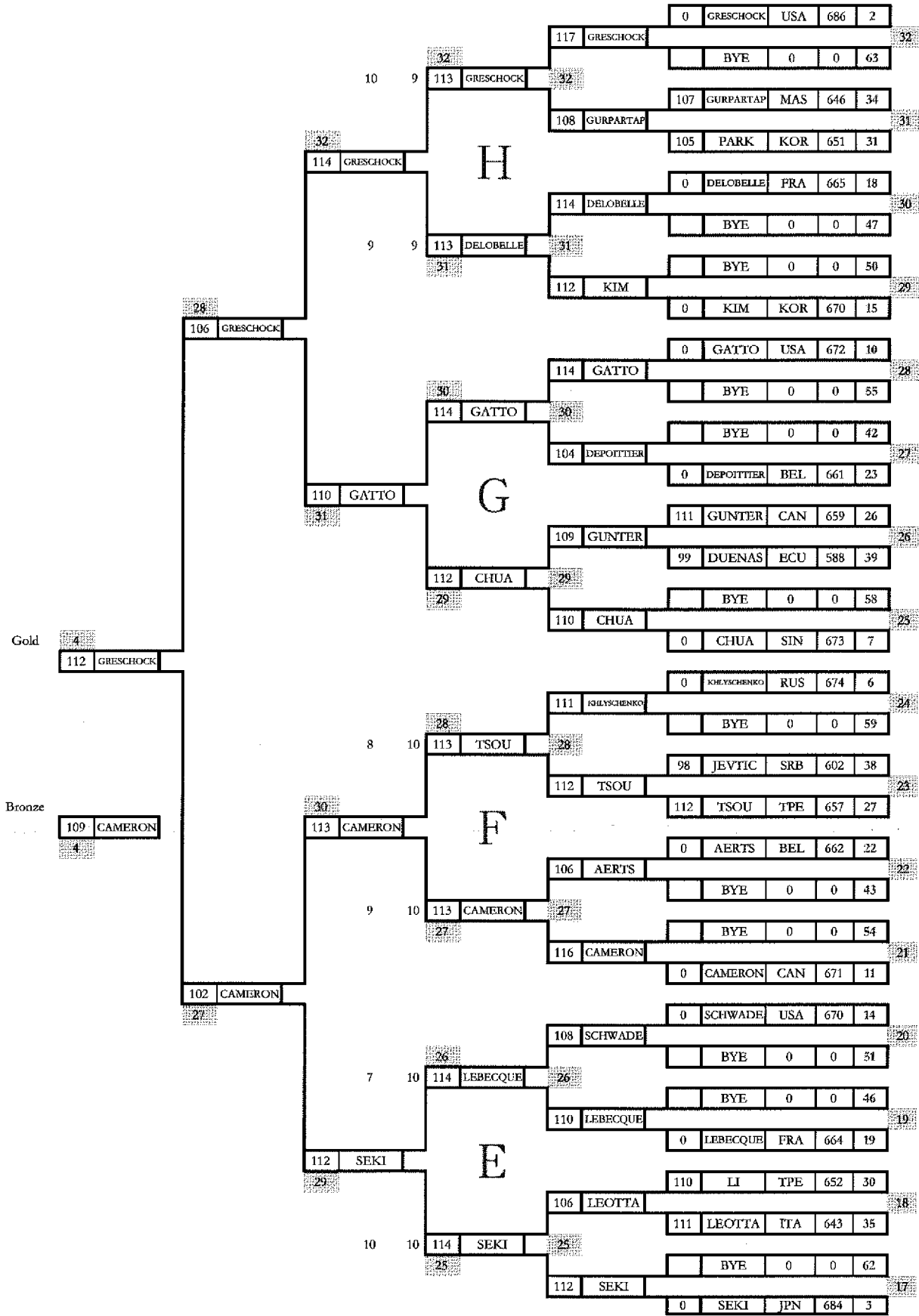
32	CAN	GUNTER ALLAN	26B	332	17	5	19	327	11	2	30	659	28	7	26
9	TPE	TSOU YUNG-MING	18C	324	10	2	30	333	14	4	20	657	24	6	27
7	BEL	VANDEPOELE MATHIEU	18A	327	11	3	27	327	10	3	29	654	21	6	28
6	TPE	LIU CHI-KUN	17C	314	12	0	37	338	19	2	11	652	31	2	29
3	TPE	LI SEN-JING	16C	328	13	3	26	324	9	3	32	652	22	6	30
34	KOR	PARK SANG JIN	27A	323	11	3	31	328	11	4	27	651	22	7	31
14	MEX	URESTI JESSI	20B	335	16	3	13	315	7	3	35	650	23	6	32
8	MAS	HASHIM MUHAMMAD KHLAID	18B	322	7	2	32	325	10	4	31	647	17	6	33
5	MAS	GURPARTAP SINGH HARVINDER SINGH	17B	326	10	3	28	320	9	2	34	646	19	5	34
19	ITA	LEOTTA ANDREA	22A	320	7	2	34	323	11	1	33	643	18	3	35
22	ITA	LUPI LORENZO	23A	319	11	2	35	315	5	1	36	634	16	3	36
20	RUS	ABIDUEV AYUR	22B	315	7	0	36	313	9	0	37	628	16	0	37
24	SRB	JEVTIC BRANISLAV	23C	300	5	2	38	302	4	0	38	602	9	2	38
37	ECU	DUENAS LUIS	28A	291	5	0	39	297	7	2	39	588	12	2	39

Judge \_\_\_\_\_ Competition Dir. \_\_\_\_\_ Scoring Dir. \_\_\_\_\_

7th World University Archery Championship 2008  
Compound Men



7th World University Archery Championship 2008  
Compound Men



# 7th World University Archery Championship 2008

## Recurve Men

No.	Country	Name	Target No	Round 1 70 M	10	X'	Rank	Round 2 70M	10	X'	Rank	Total	10	X''	Rank
18	TPE	WANG CHENG-PANG	15C	333	15	3	1	335	13	2	2	668	28	5	1
13	ESP	MORILLO PRATS DANIEL	14A	329	10	5	3	335	18	5	1	664	28	10	2
12	TPE	KUO CHENG-WEI	13C	331	14	5	2	331	16	5	3	662	30	10	3
15	TPE	LIU MING-HUANG	14C	329	11	5	3	329	13	4	5	658	24	9	4
5	KOR	JANG SEUNG HOON	11B	325	13	5	6	329	13	5	4	654	26	10	5
38	RUS	BORODIN ALEXEY	22B	329	16	1	5	324	13	6	9	653	29	7	6
14	MAS	MAT NASIR NAZRIN AIZAT	14B	320	9	2	12	328	14	4	6	648	23	6	7
24	USA	MEYERS TIMOTHY	17C	322	11	4	7	325	10	1	8	647	21	5	8
43	JPN	YOSHINAGA HIROYUKI	24A	321	11	3	8	323	9	4	11	644	20	7	9
19	FRA	BARBELLION REMY	16A	321	10	3	8	321	11	4	14	642	21	7	10
8	KOR	JIN SEONG YEOP	12B	321	11	3	8	320	10	1	17	641	21	4	11
2	KOR	HAN WOO TACK	10B	318	14	5	14	322	11	6	12	640	25	11	12
27	USA	SINCLAIR DAKOTA	18C	321	10	2	11	318	10	4	21	639	20	6	13
35	POL	PRZEPIORA TOMASZ	21B	316	8	2	18	320	10	4	16	636	18	6	14
41	RUS	SHAKIROV REM	23B	317	10	2	16	319	7	5	18	636	17	7	15
10	ESP	GOMEZ FRANCO ANDRES	13A	310	11	0	23	325	13	6	7	635	24	6	16
36	FIN	TEKONIEMI ANTTI	21C	317	9	3	15	317	10	3	23	634	19	6	17
37	JPN	HOMMA HAYATO	22A	316	7	0	19	318	9	6	20	634	16	6	18
20	MGL	BAASANJAV DOLGORSUREN	16B	319	10	1	13	311	11	5	28	630	21	6	19
32	POL	HUSZCZ MACIEJ	20B	317	6	1	17	313	4	0	26	630	10	1	20
44	RUS	SIDORIN ILYA	24B	312	8	4	20	317	7	0	24	629	15	4	21
29	POL	CIS TOMASZ	19B	307	7	5	24	321	5	1	15	628	12	6	22
42	SLO	ZLENDER MATIJA	23C	311	7	3	22	315	11	5	25	626	18	8	23
22	FRA	COUCOULLE MATTHIEU	17A	307	7	2	26	318	9	2	22	625	16	4	24
47	MEX	AVITIA SEBASTIAN	25B	301	5	1	30	324	10	5	10	625	15	6	25
33	BEL	CLART STEVE	20C	306	5	1	27	319	7	2	19	625	12	3	26

Judge \_\_\_\_\_ Competition Dir. \_\_\_\_\_ Scoring Dir. \_\_\_\_\_

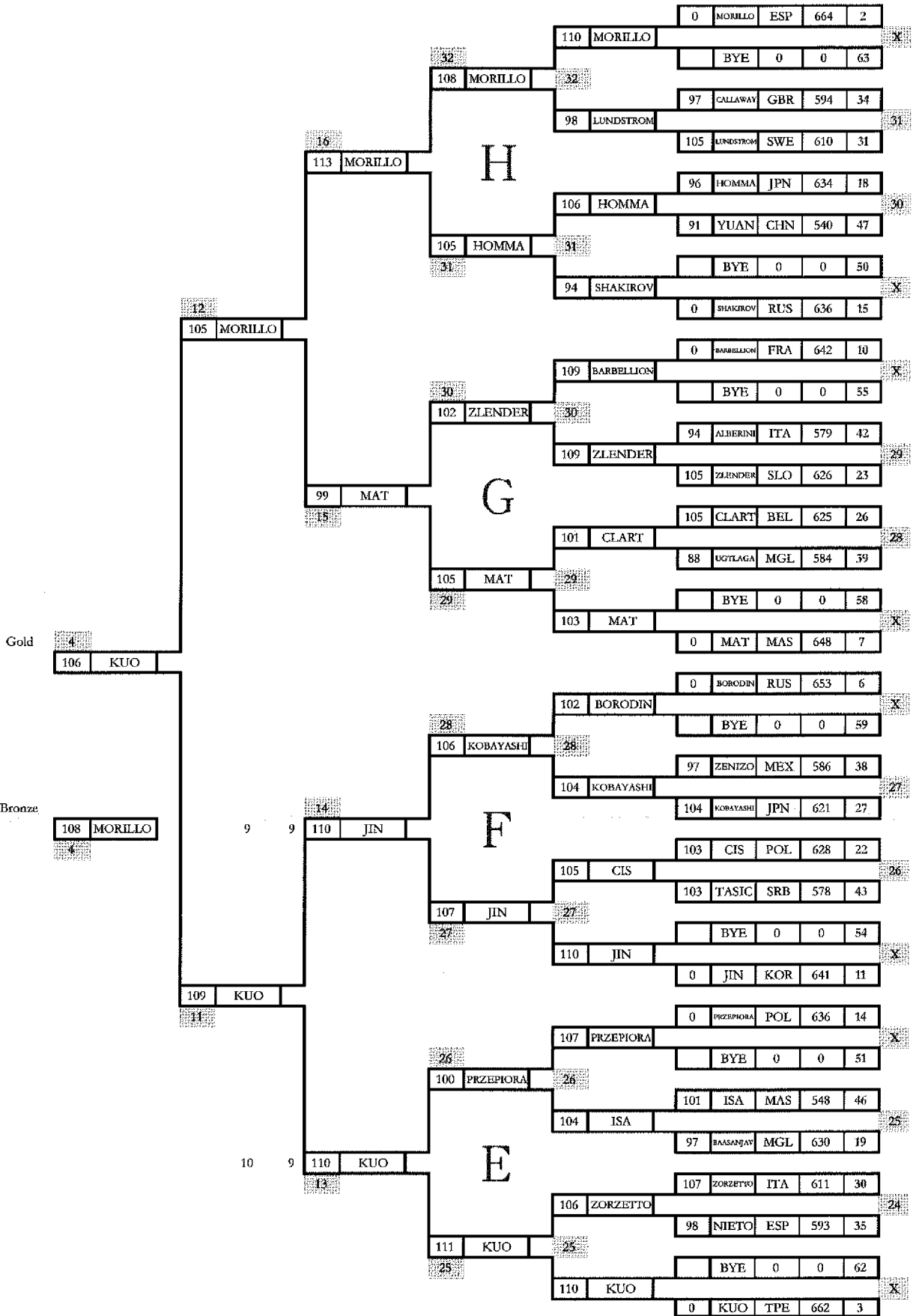
40	JPN	KOBAYASHI FUMIYA	23A	300	7	4	31	321	10	5	13	621	17	9	27
25	FRA	MANHAVAIL BERTRAND	18A	312	7	3	21	309	5	1	29	621	12	4	28
4	CHN	SHI JIAFENG	11A	305	2	1	28	312	7	2	27	617	9	3	29
34	ITA	ZORZETTO ANDREA	21A	302	8	2	29	309	9	1	29	611	17	3	30
46	SWE	LUNDSTROM ANTON	25A	307	10	4	25	303	7	1	32	610	17	5	31
6	SIN	PANG TOH JIN	11C	295	4	2	36	306	7	2	31	601	11	4	32
48	SWE	WILLMAN NIKLAS	26A	299	3	0	33	296	6	1	37	595	9	1	33
39	GBR	CALLAWAY ANDREW	22C	295	4	2	36	299	3	0	34	594	7	2	34
16	ESP	NIETO CARRERO ALVARO	15A	298	6	1	34	295	8	3	38	593	14	4	35
21	USA	ANDERSON JEFFREY	16C	299	2	1	32	293	7	2	39	592	9	3	36
31	ITA	FISSORE MATTEO	20A	291	6	2	40	296	6	3	36	587	12	5	37
49	MEX	ZENIZO JOSE	26B	287	5	3	44	299	9	2	33	586	14	5	38
26	MGL	UGTLAGA ORGIL	18B	291	6	3	38	293	4	1	40	584	10	4	39
30	AUS	CARTER BRENDAN	19C	291	7	2	40	291	5	2	41	582	12	4	40
9	SIN	TEH ZHI XIONG ALEX	12C	298	7	1	34	284	3	0	44	582	10	1	41
28	ITA	ALBERINI EMANUELE	19A	281	5	2	45	298	9	2	35	579	14	4	42
45	SRB	TASIC IVAN	24C	289	4	1	43	289	6	3	42	578	10	4	43
3	SIN	MOHAMMAD AZHAR FARHAN	10C	291	4	3	38	285	3	0	43	576	7	3	44
17	MAS	MD SHAFIE MUHAMAD SUFI	15B	290	7	2	42	279	4	1	45	569	11	3	45
11	MAS	ISA MOHD FIRDAUS	13B	271	4	0	47	277	2	0	46	548	6	0	46
7	CHN	YUAN XINPIN	12A	273	3	0	46	267	3	1	47	540	6	1	47
1	CHN	HUANG LINGZHONG	10A	263	2	0	48	260	5	2	48	523	7	2	48
23	MGL	BAATARJAV ZOLBOO	17B	0	0	0	49	0	0	0	49	0	0	0	49

Judge \_\_\_\_\_ Competition Dir. \_\_\_\_\_ Scoring Dir. \_\_\_\_\_

7th World University Archery Championship 2008  
Recurve Men

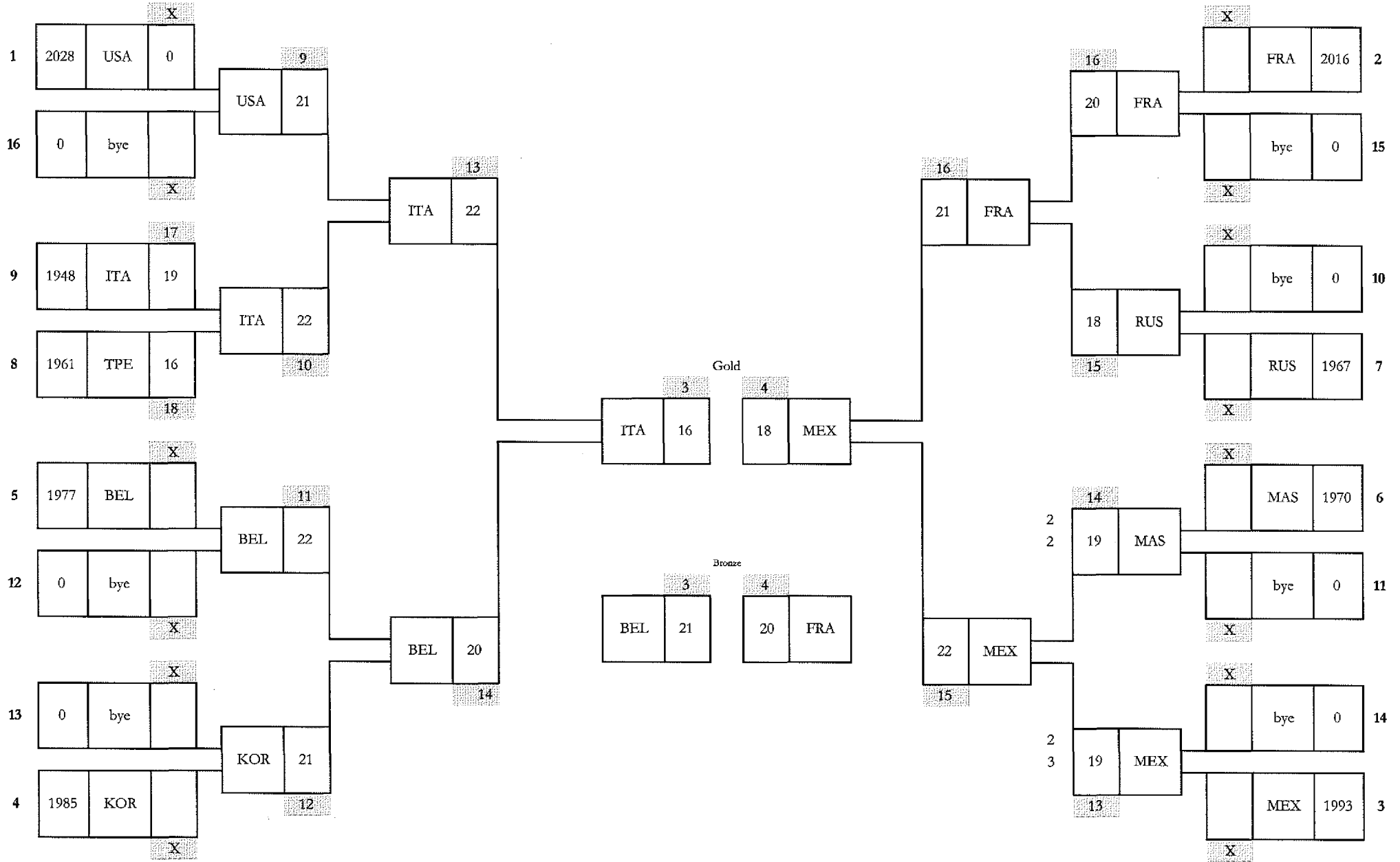
1	668	TPE	WANG	0			
X			WANG	111			
64	0	0	BYE			17	
						17	WANG 108
33	595	SWE	WILLMAN	103			
15			WILLMAN	101			
32	601	SIN	PANG	98			
						9	
17	634	FIN	TEKONIEMI	108			WANG 110
16			TEKONIEMI	104			
48	523	CHN	HUANG	91			
						18	GOMEZ 105
49	0	MGL	BAATARJAV	0			
17			GOMEZ	108			18
16	635	ESP	GOMEZ	0			
						9	
9	644	JPN	YOSHINAGA	0			WANG 107
X			YOSHINAGA	104			
56	0	0	BYE			19	
						19	YOSHINAGA 104
41	582	SIN	THE	93			
18			COUCOULLE	104			
24	625	FRA	COUCOULLE	109			
25	625	MEX	AVITIA	100			
19			AVITIA	111			
40	582	AUS	CARTER	80			
						20	AVITIA 98
57	0	0	BYE			20	
X			MEYERS	109			
8	647	USA	MEYERS	0			
						3	
5	654	KOR	JANG	0			WANG 112
X			JANG	115			
60	0	0	BYE			21	
						21	JANG 109
37	587	ITA	FISSORE	109			
20			FISSORE	101			
28	621	FRA	MANIAVAH	102			
						11	
21	629	RUS	SIDORIN	90			JANG 108 9
21			MOHAMMAD	94			JANG 113 3
44	576	SIN	MOHAMMAD	99			
						22	HAN 104
53	0	0	BYE			22	
X			HAN	113			
42	640	KOR	HAN	0			
						10	JANG 101
13	639	USA	SINCLAIR	0			
X			SINCLAIR	103			
52	0	0	BYE			23	
						23	HUSZCZ 96
45	569	MAS	MD	100			
22			HUSZCZ	106			
20	630	POL	HUSZCZ	102			
						8	LIU 108
29	617	CHN	SHI	98			
23			ANDERSON	106			12
36	592	USA	ANDERSON	105			
						24	LIU 109
61	0	0	BYE			24	
X			LIU	110			
4	658	TPE	LIU	0			

7th World University Archery Championship 2008  
Recurve Men



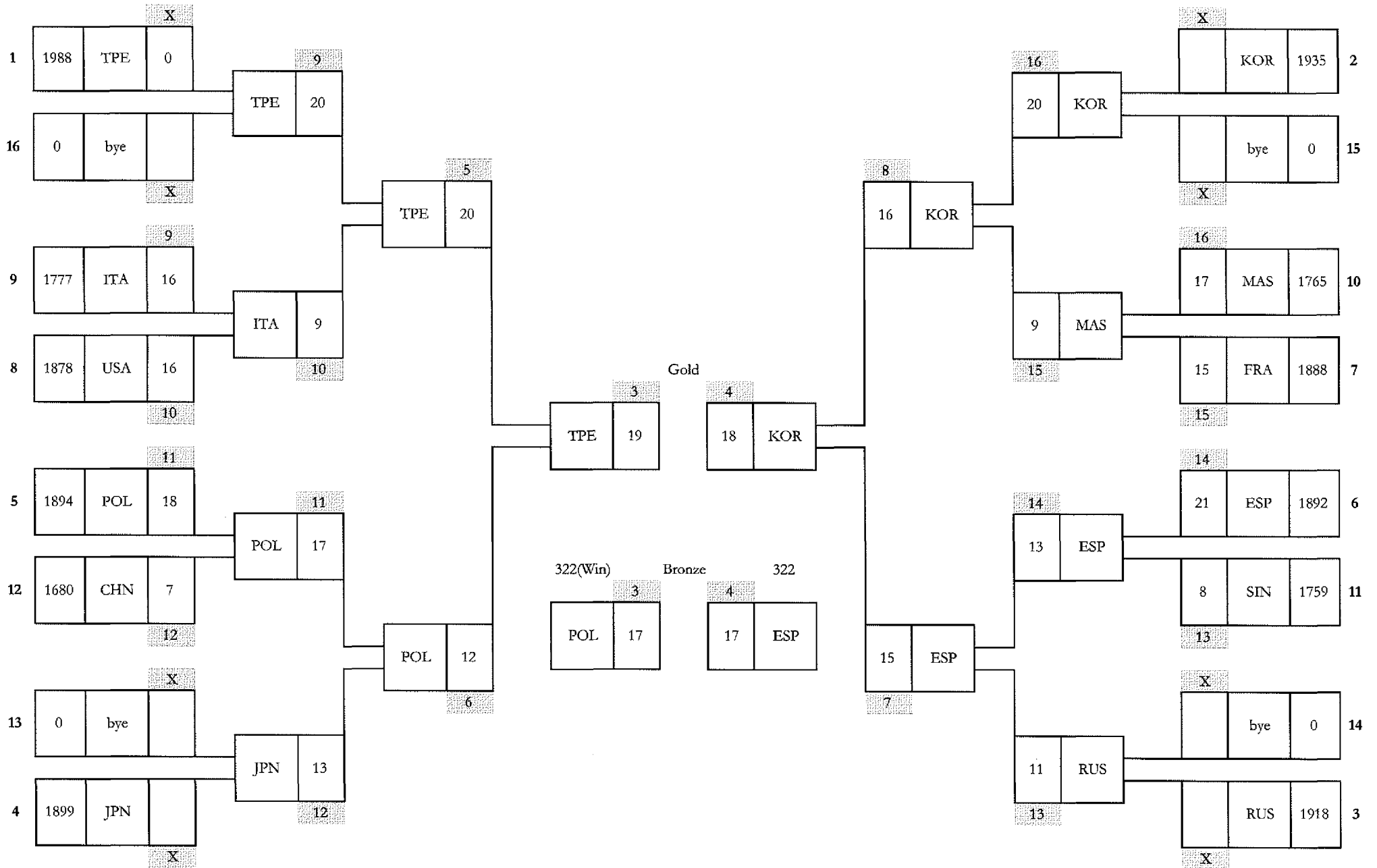


7th World University Archery Championship 2008  
Compound Men Team

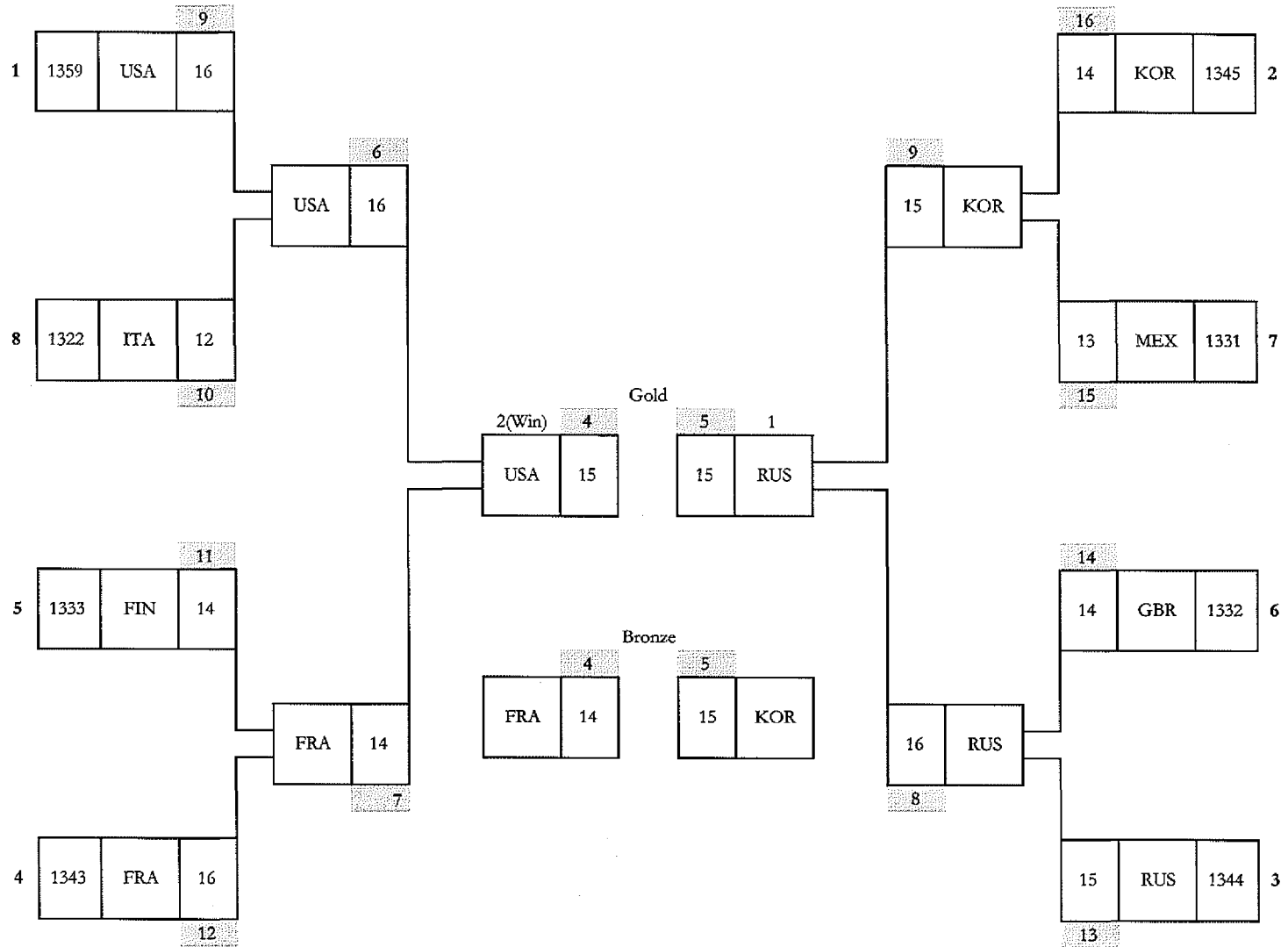


7th World University Archery Championship 2008

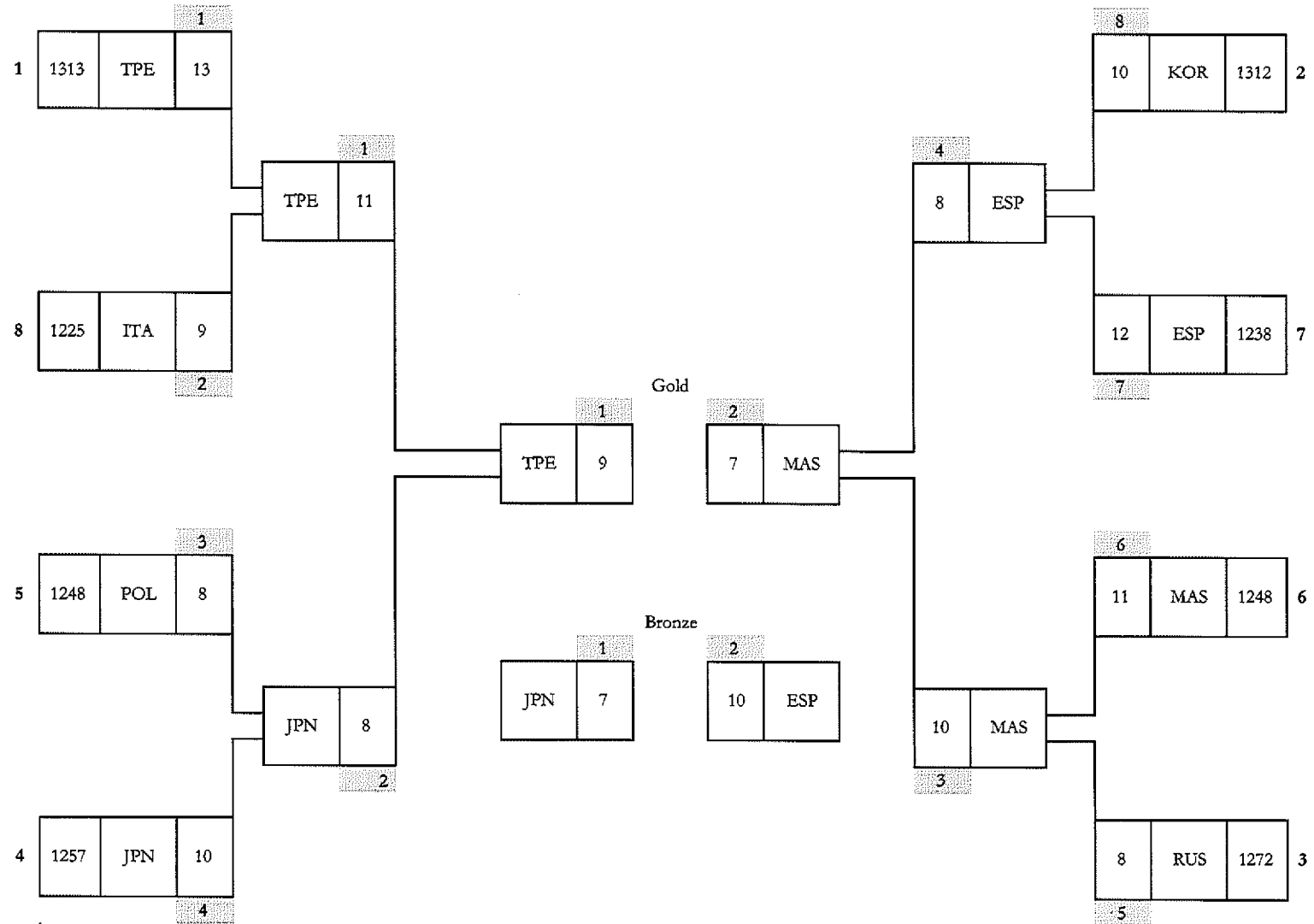
Recurve Men Team



7th World University Archery Championship 2008  
Compound - Mixed Team



7th World University Archery Championship 2008  
 Recurve - Mixed Team



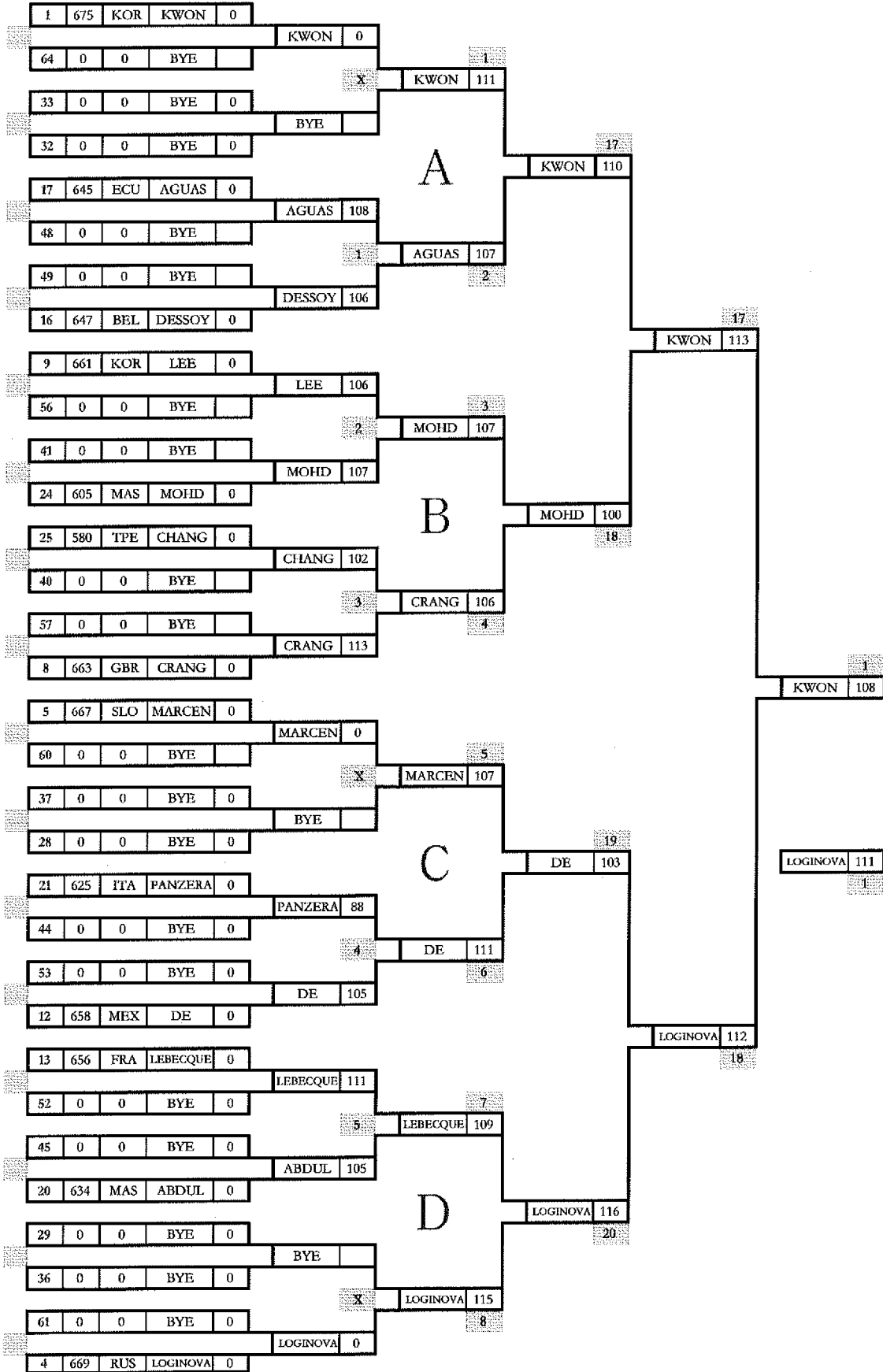
# 7th World University Archery Championship 2008

## Compound Women

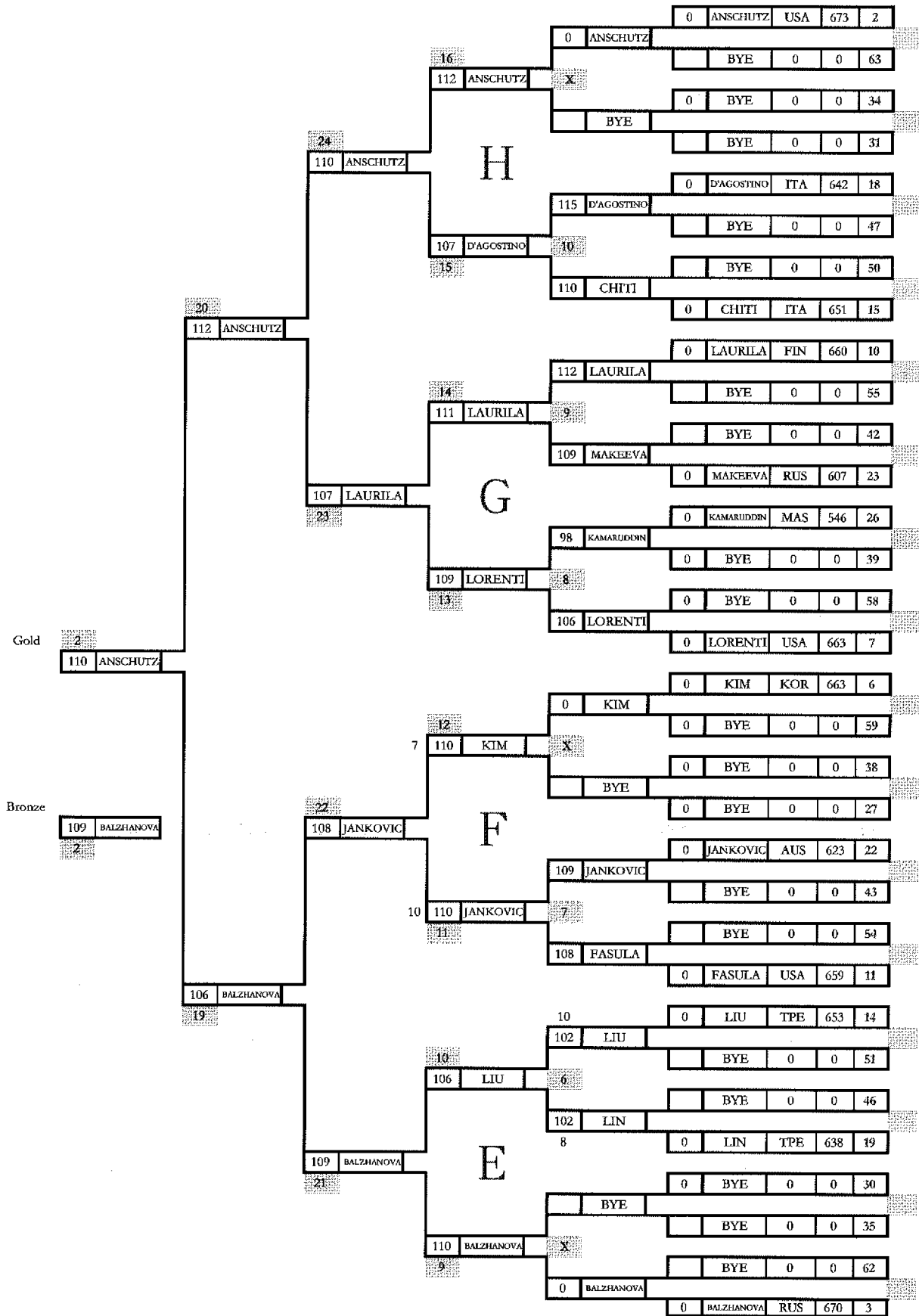
No.	Country	Name	Target No.	Round 1 70 M	10	X'	Rank	Round 2 70M	10	X'	Rank	Total	10	X''	Rank
2	KOR	KWON OH HYANG	1B	333	13	7	4	342	18	6	1	675	31	13	1
12	USA	ANSCHUTZ ERIKA	4C	337	14	7	1	336	18	3	4	673	32	10	2
3	RUS	BALZHANOVA VIKTORIA	1C	330	12	1	10	340	19	5	2	670	31	6	3
6	RUS	LOGINOVA ALBINA	2C	331	15	5	8	338	17	4	3	669	32	9	4
21	SLO	MARCEN MAJA	7C	332	13	3	6	335	16	3	5	667	29	6	5
8	KOR	KIM HYO SUN	3B	336	16	5	2	327	13	3	14	663	29	8	6
18	USA	LORENTI BRITTANY	6C	332	15	4	5	331	13	3	9	663	28	7	7
16	GBR	CRANG STEPHANIE	6A	334	16	4	3	329	11	3	12	663	27	7	8
5	KOR	LEE BEO DEUL	2B	331	11	6	7	330	16	9	10	661	27	15	9
10	FIN	LAURILA ANNE	4A	329	14	2	11	331	13	5	8	660	27	7	10
15	USA	FASULA JESSICA	5C	330	12	4	9	329	12	6	11	659	24	10	11
23	MEX	DE LA CONCHA FELISSA	8C	325	10	2	14	333	14	2	6	658	24	4	12
13	FRA	LEBECQUE PARCALE	5A	324	12	3	17	332	15	2	7	656	27	5	13
24	TPE	LIU HUI-TZU	8B	326	12	3	13	327	13	7	13	653	25	10	14
19	ITA	CHITI SARAH	7A	324	9	4	15	327	12	3	14	651	21	7	15
4	BEL	DESSOY CATHELINE	2A	327	12	0	12	320	6	2	18	647	18	2	16
7	ECU	AGUAS SARA	3A	319	11	1	19	326	11	3	16	645	22	4	17
22	ITA	D'AGOSTINO KATIA	8A	322	11	3	18	320	9	2	18	642	20	5	18
20	TPE	LIN HUI-CHUN	7B	324	11	4	15	314	9	3	21	638	20	7	19
11	MAS	ABDUL LATIP NURHIDAYAH	4B	308	9	3	21	326	15	3	16	634	24	6	20
25	ITA	PANZERA LUCIA	9A	315	11	3	20	310	10	2	22	625	21	5	21
1	AUS	JANKOVIC KATHRYN	1A	305	9	1	22	318	12	6	20	623	21	7	22
9	RUS	MAKEEVA ALEKSANDRA	3C	299	4	0	23	308	7	1	23	607	11	1	23
17	MAS	MOHD LATIFI FARADILLA	6B	299	6	0	23	306	9	0	24	605	15	0	24
26	TPE	CHANG HSIA-THENG	9B	290	6	1	25	290	2	1	25	580	8	2	25
14	MAS	KAMARUDDIN NURUL AIN	5B	265	4	0	26	281	7	2	26	546	11	2	26

Judge \_\_\_\_\_ Competition Dir. \_\_\_\_\_ Scoring Dir. \_\_\_\_\_

7th World University Archery Championship 2008  
Compound Women



7th World University Archery Championship 2008  
Compound Women



# 7th World University Archery Championship 2008

## Recurve Women

No.	Country	Name	Target No	Round 1 70 M	10	X'	Rank	Round 2 70M	10	X'	Rank	Total	10	X''	Rank
20	KOR	CHANG HYE JIN	7B	331	15	4	2	327	10	2	1	658	25	6	1
23	KOR	KI BO BAE	8B	335	17	3	1	322	12	4	2	657	29	7	2
36	TPE	YUAN SHU-CHI	12C	327	13	5	3	318	8	3	3	645	21	8	3
26	KOR	LEE HYUN JU	9B	321	9	3	5	317	7	3	4	638	16	6	4
40	GER	WINTER KARINA	13A	319	7	4	6	315	8	2	5	634	15	6	5
31	GER	HITZLER ANJA	11A	321	11	4	4	309	8	0	9	630	19	4	6
33	TPE	WU HUI-JU	11C	316	10	4	8	310	9	4	6	626	19	8	7
24	RUS	OBODOEVA SANZHI	8C	310	1	1	10	309	10	4	8	619	11	5	8
27	RUS	STEPANOVA INNA	9C	310	7	1	10	307	6	2	13	617	13	3	9
2	ITA	BONI SERENA	1B	306	8	1	15	308	8	1	11	614	16	2	10
17	JPN	TERAI MAMI	6B	313	8	3	9	300	7	3	20	613	15	6	11
28	GBR	DOWNIE EMMA	10A	319	9	3	7	294	5	2	23	613	14	5	12
12	POL	KRUCZEK KLAUDIA	4C	307	7	2	12	305	5	2	16	612	12	4	13
43	SWE	JEPPSSON JENNY	15A	307	10	2	12	303	6	2	18	610	16	4	14
11	JPN	KANIE MIKI	4B	300	5	1	18	310	9	1	7	610	14	2	15
15	POL	MYSZOR WIOLETA	5C	302	9	4	16	307	6	2	13	609	15	6	16
8	ITA	TOMASI JESSICA	3B	296	9	2	21	306	8	3	15	602	17	5	17
14	JPN	MATSUMOTO CHIAKI	5B	297	4	1	19	304	8	0	17	601	12	1	18
30	TPE	SHEN HSIAO-CHUN	10C	292	4	2	24	308	5	1	11	600	9	3	19
35	MAS	SUBRAMANIAM ANBARASI	12B	307	3	1	14	293	3	1	24	600	6	2	20
18	POL	SKLODOWSKA ANNA	6C	291	4	2	25	308	12	2	10	599	16	4	21
34	GER	NULLE WIEBKE	12A	297	4	1	19	291	3	1	26	588	7	2	22
3	MGL	ALTANGEREL ENKHTUYA	1C	286	2	0	29	299	6	1	21	585	8	1	23
41	MEX	LOPEZ CITLALI	14B	285	6	4	30	297	3	1	22	582	9	5	24
44	MEX	VILLA ANA	15B	301	5	1	17	280	3	1	31	581	8	2	25

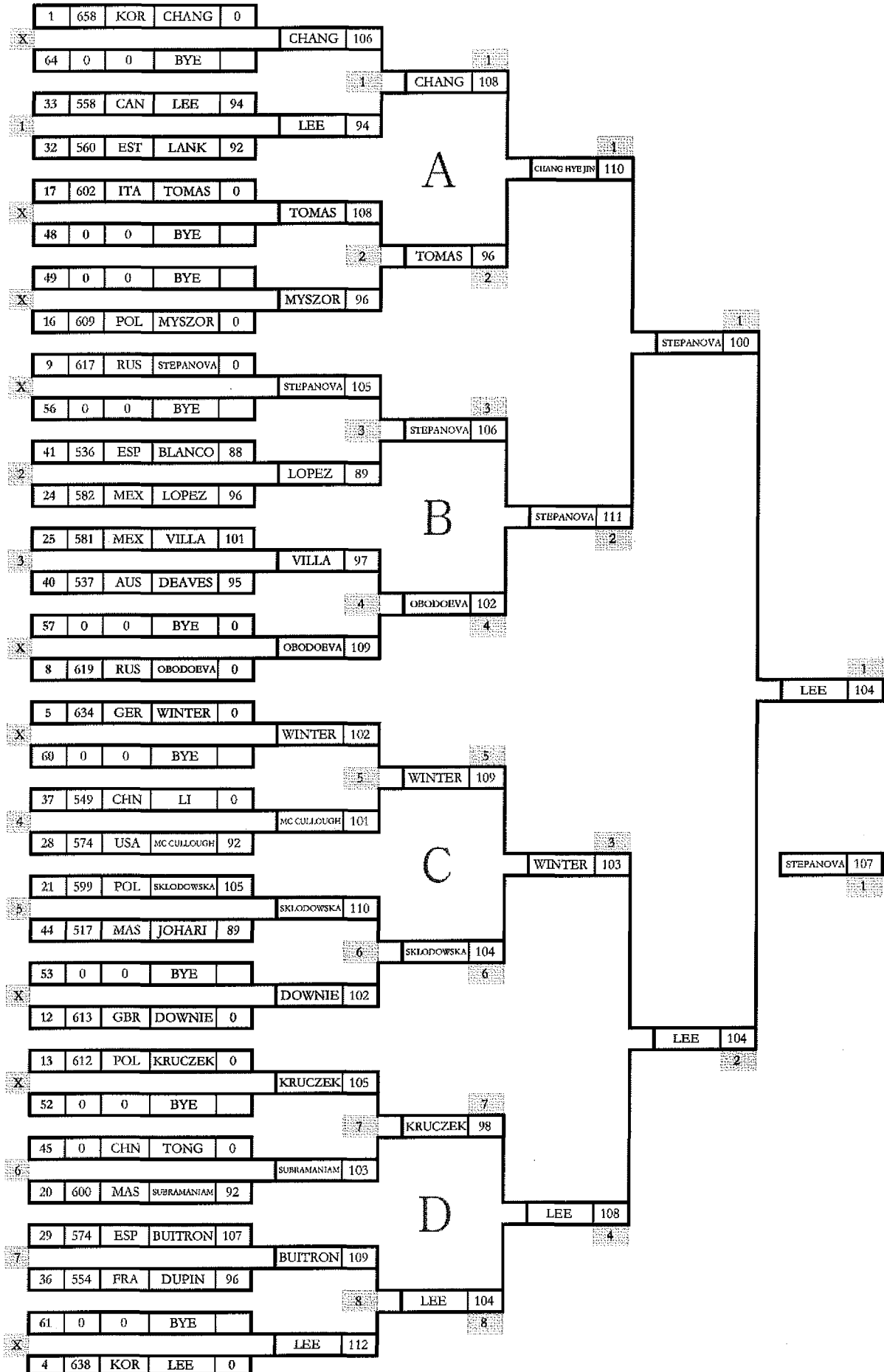
Judge \_\_\_\_\_ Competition Dir. \_\_\_\_\_ Scoring Dir. \_\_\_\_\_



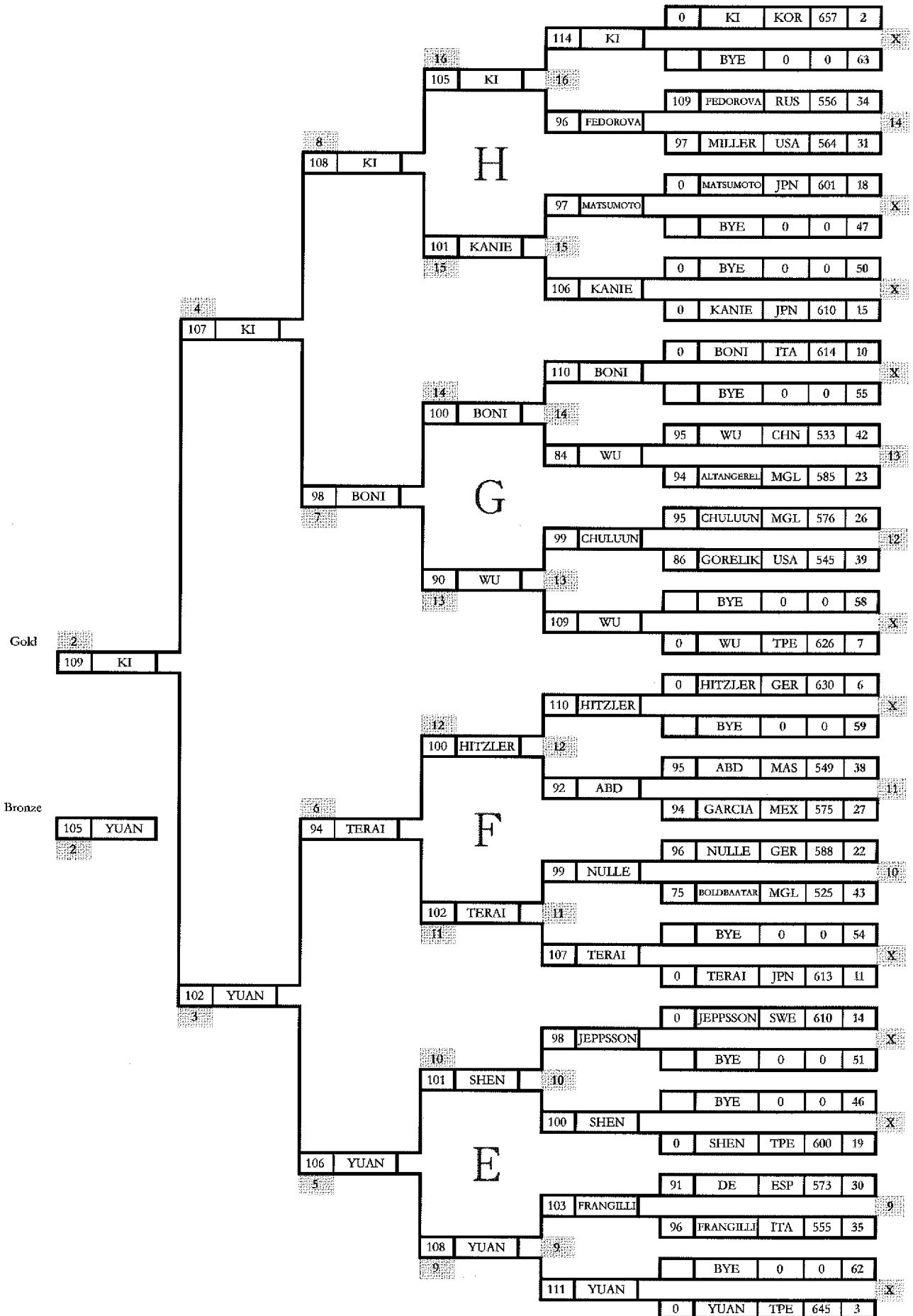
9	MGL	CHULUUN OYUNSUREN	3C	273	2	0	39	303	9	2	18	576	11	2	26
38	MEX	GARCIA ANA	13B	290	5	2	26	285	5	2	28	575	10	4	27
42	USA	MC CULLOUGH DANIELLE	14C	294	7	1	22	280	4	1	31	574	11	2	28
16	ESP	BUTRON CORTINAS GEMA	6A	281	5	0	33	293	5	1	24	574	10	1	29
19	ESP	DE LA OSA IZQUIERDO MARIA ANTONIA	7A	290	5	1	27	283	9	1	30	573	14	2	30
45	USA	MILLER STEPHANIE	15C	278	4	2	35	286	3	1	27	564	7	3	31
22	EST	LANK EVA	8A	293	5	0	23	267	3	1	40	560	8	1	32
1	CAN	LEE VANESSA	1A	285	1	1	31	273	3	1	37	558	4	2	33
21	RUS	FEDOROVA ANNA	7C	281	6	1	32	275	6	1	34	556	12	2	34
5	ITA	FRANGILLI CARLA	2B	290	5	1	27	265	5	2	41	555	10	3	35
25	FRA	DUPIN CECILE	9A	280	4	0	34	274	4	3	35	554	8	3	36
4	CHN	LI LEHUAN	2A	265	6	1	42	284	7	1	29	549	13	2	37
29	MAS	ABD MANAP NORNASREENI	10B	277	2	0	38	272	7	1	39	549	9	1	38
39	USA	GORELIK ANNETTE	13C	271	1	0	40	274	4	1	36	545	5	1	39
37	AUS	DEAVES AIMEE	14A	262	2	1	43	275	5	2	33	537	7	3	40
13	ESP	BLANCO GOMEZ MONICA	5A	278	6	1	36	258	4	1	42	536	10	2	41
10	CHN	WU XIANGSHU	4A	277	3	2	37	256	3	0	43	533	6	2	42
6	MGL	BOLDBAATAR NYAMTSETSEG	2C	252	1	0	44	273	3	0	38	525	4	0	43
32	MAS	JOHARI NURDINA NAJWA	11B	269	7	2	41	248	2	1	44	517	9	3	44
7	CHN	TONG HAIYAN	3A	0	0	0	45	0	0	0	45	0	0	0	45

Judge \_\_\_\_\_ Competition Dir. \_\_\_\_\_ Scoring Dir. \_\_\_\_\_

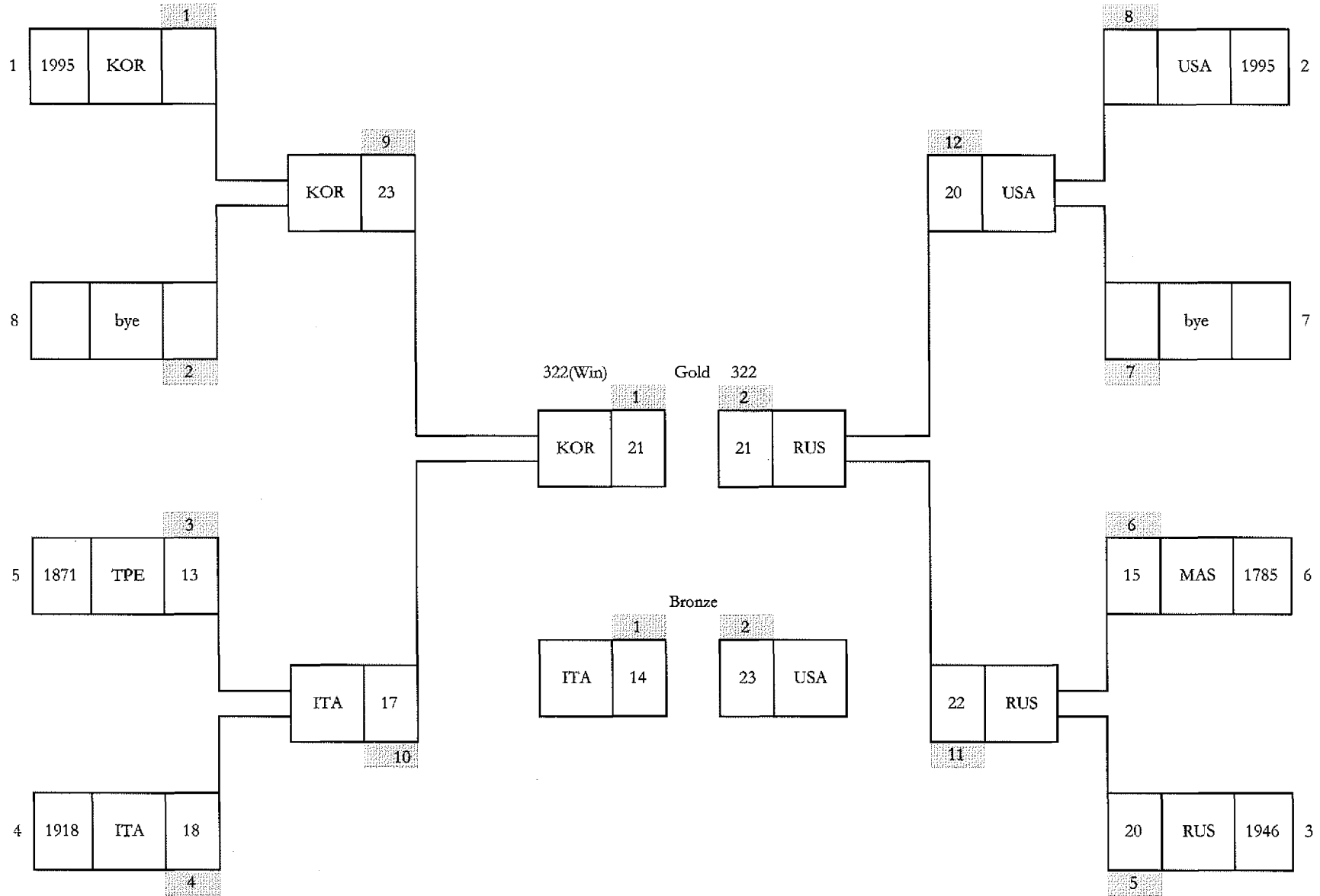
7th World University Archery Championship 2008  
Recurve Women



7th World University Archery Championship 2008  
Recurve Women



7th World University Archery Championship 2008  
Compound Women Team



7th World University Archery Championship 2008

Recurve Women Team

